

AMProse

Cut and Wrap Lines

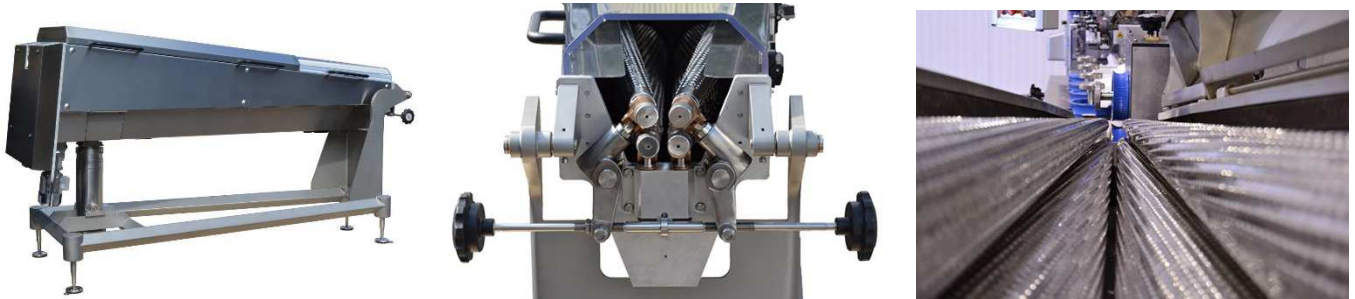


Batch Rollers - confectionery mass is placed inside the trough of the machine where four stainless steel rollers rotate and form the batch into a conical shape.

Rope Sizer - the confectionery mass is automatically taken up by the Rope Sizer, by either a pair of vertically arranged sizing rollers, or by a 'cluster' of two horizontal and two vertical rollers. The candy rope is gradually reduced in size by more pairs of horizontal rollers, to achieve the final desired rope diameter.

Cut and wrap machine - receives the rope of candy and then sizes, shapes, cuts to length and wraps the product.

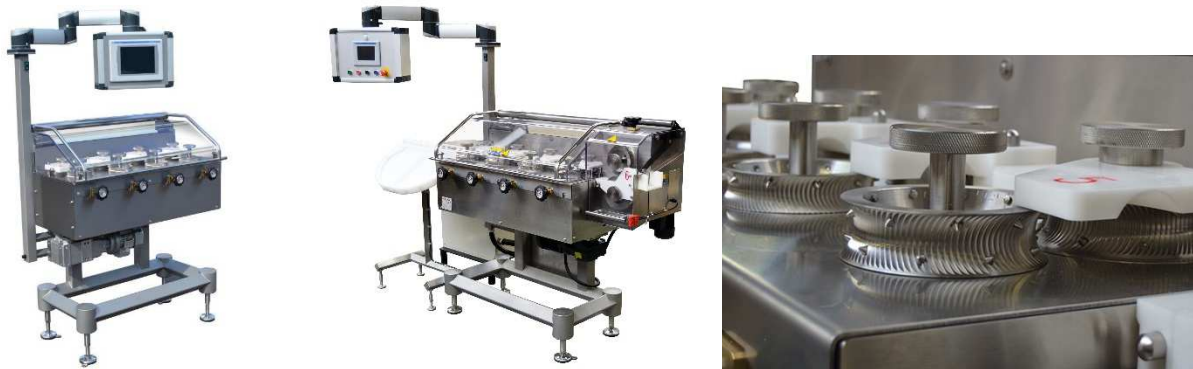
BR46 Batch Roller



Benefits

- Open construction for easy access for cleaning and maintenance.
- Heaters on the side of the machine to prevent debris build up on the heaters.
- Large capacity available 70kg and 100kg.
- Left to right or right to left construction.

RS68 Rope Sizer



Benefits

- The RS68 versions have sizing roller boxes that are from modular construction, allowing easy modification or future retro fitting.
- Fast to dismantle for cleaning/maintenance purposes.
- Available with mechanical drives or fully servo driven.
- Left to right or right to left construction

We offer 3 models of cut and wrap machines, which consist of a medium speed machine (750), a high speed machine (S42HS) and a cut and stickpack machine (340/342).



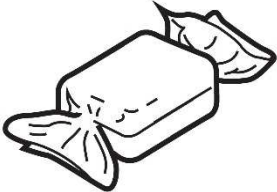
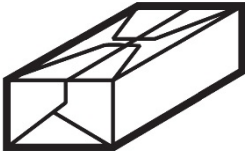
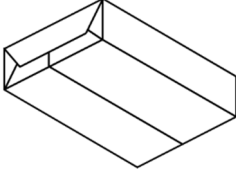
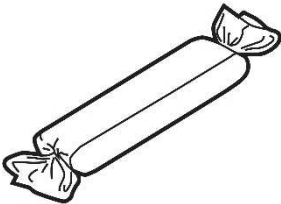
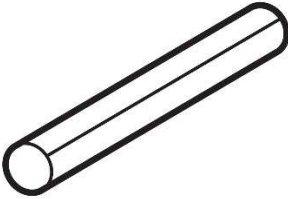
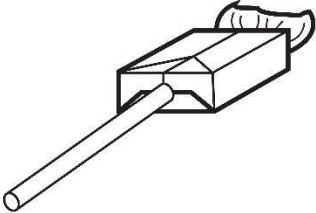
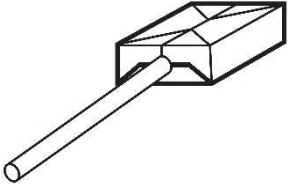

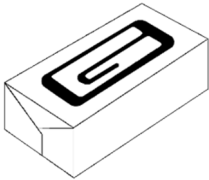
750 Cut and Wrap Machines

- This machine is our marque machine
- Medium speed output up to 750 p/m
- Designed for strength, durability, as well as ease of operation and low maintenance
- Product is usually fed from a Batch Roller/Rope Sizer or an Extruder
- Extruders are mainly used for bubblegum

Products Used On 750 Machines

- Toffee
- Caramel
- Fruit Chew
- Bubble gum
- High Boiled Sugars

Wrap Styles

 <p>Double Twist Up to 750 p/m Machine: 755T</p>	 <p>Under Fold Up to 750 p/m Machine: 755F</p>	 <p>End Fold Up to 750 p/m Machine: 750BG</p>
 <p>Long Piece Double Twist Up to 400 p/m 750ET</p>	 <p>Long Piece Cigarette Up to 400 p/m 750CS</p>	 <p>Lollipop Twist Up to 350 p/m 750LT</p>
 <p>Lollipop Fold Up to 350 p/m 750LF</p>	 <p>Whirl 'Kiss' Double Twist Up to 550 p/m 750WT</p>	 <p>Whirl 'Kiss' Fold Up to 550 p/m 750WF</p>




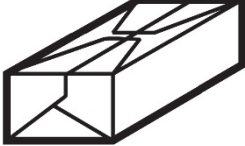
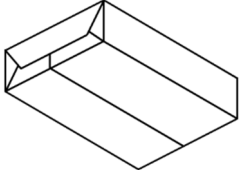

S42HS Cut and Wrap Machines

- High speed output up to 1,000 p/m
- Designed for strength, durability, as well as ease of operation and low maintenance
- Product is usually fed from a Batch Roller/Rope Sizer or an Extruder
- Extruders are mainly used for bubblegum

Products Used On 750 Machines

- Toffee
- Caramel
- Fruit Chew
- Bubble gum
- High Boiled Sugars

Wrap Styles

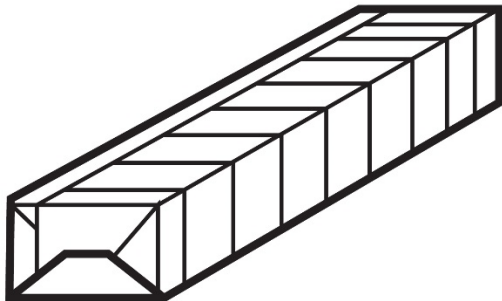
 <p>Double Twist Up to 1,000 p/m Machine: S42HST</p>	 <p>Under Fold Up to 1,000 p/m Machine: S42HSF</p>
 <p>End Fold Up to 1,000 p/m Machine: S42HSBG</p>	 <p>Whirl 'Kiss' Double Twist Up to 800 p/m Machine: S42CW</p>

340/342 Cut and Wrap Stickpack Machines

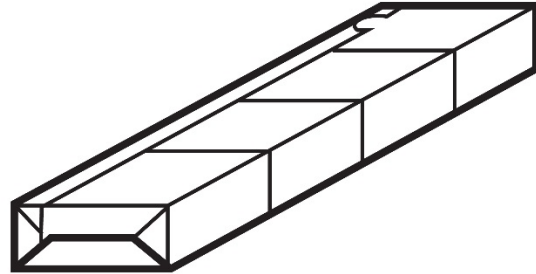
- Medium speed output up to 180 packs per minute
- Cuts and wraps the individual pieces, collates the individual pieces and is then overwrapped
- Designed for strength, durability, as well as ease of operation and low maintenance
- Product is usually fed from a Batch Roller/Rope Sizer or an Extruder
- Extruders are mainly used for bubblegum

Products Used On 750 Machines

- Toffee
- Caramel
- Fruit Chew
- Bubble gum
- High Boiled Sugars



Stickpack 'On Edge'
Up to 180 packs per minute
Machine: 340



Stickpack 'On Flat'
Up to 180 packs per minute
Machine: 342